



Cladding junctions



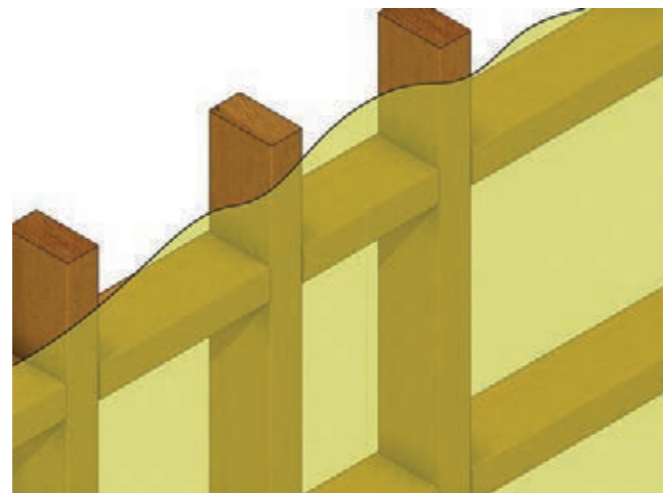
BY TREVOR PRINGLE,
ANZIA, BRANZ PRINCIPAL
WRITER

Multiple claddings are common on new houses. Getting the junctions between these claddings right can be tricky but is critical for the weathertightness of the building.

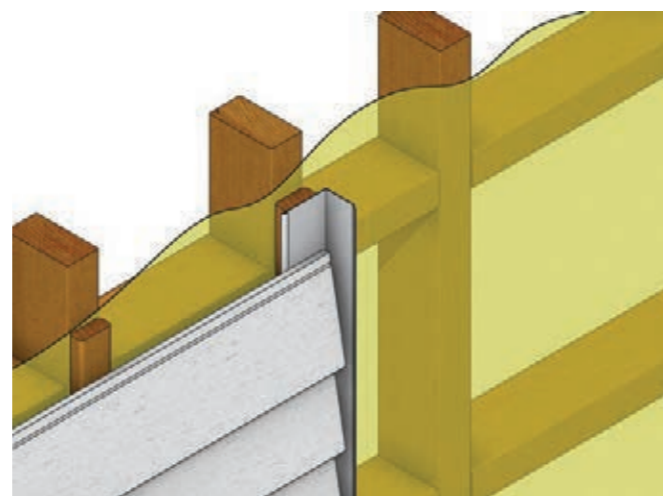
TWO CLADDINGS commonly used together on modern houses are brick veneer with bevel-back weatherboards installed over a cavity.

The following two sequences of 3D drawings outline the construction sequence for:

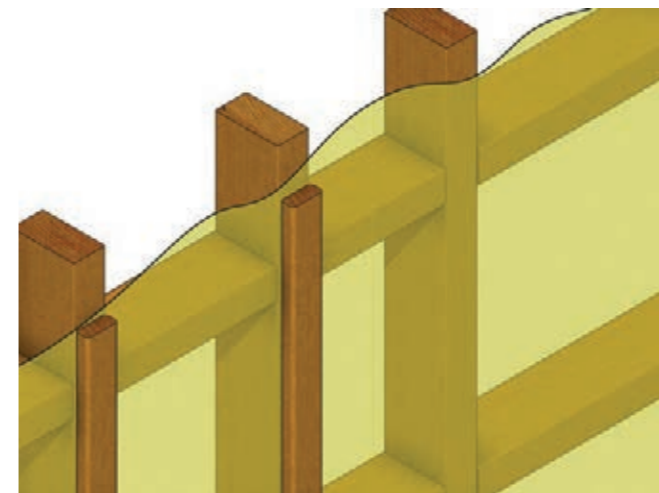
- a vertical junction between bevel-back weatherboards installed over a cavity and brick veneer
- a horizontal junction when the bevel-back weatherboards are above brick veneer. ◀



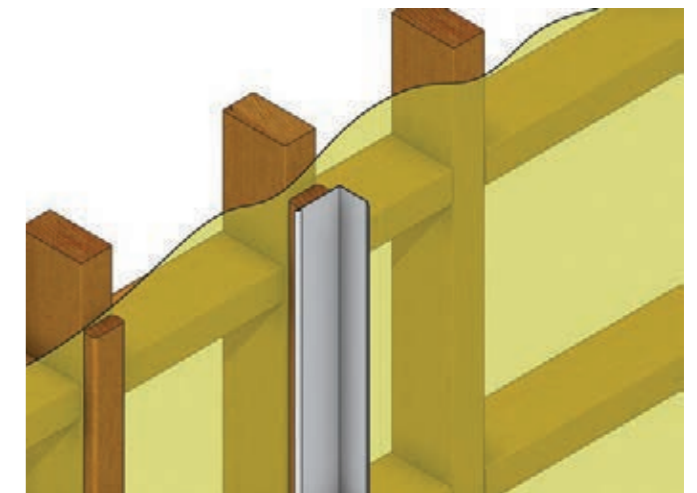
Step 1 Construction sequence – vertical junction between bevel-back weatherboards over a cavity and brick veneer.



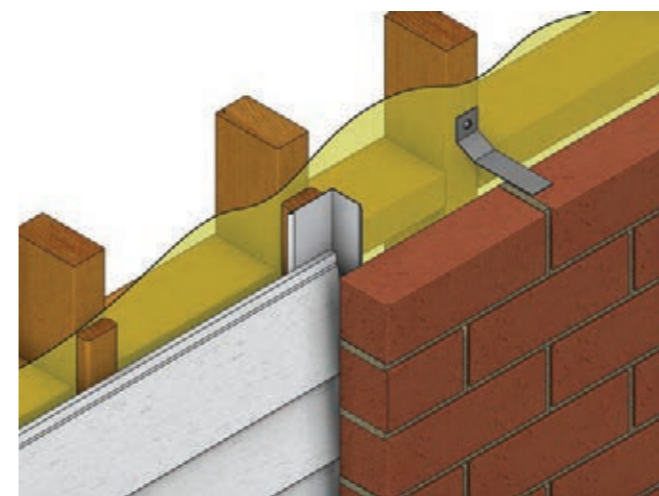
Step 4



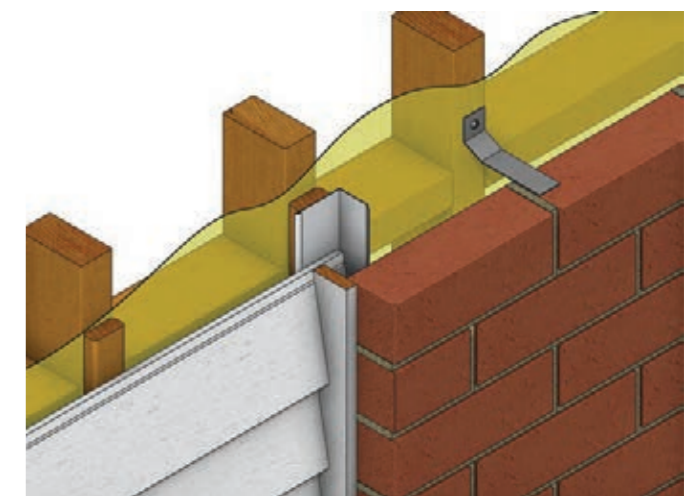
Step 2



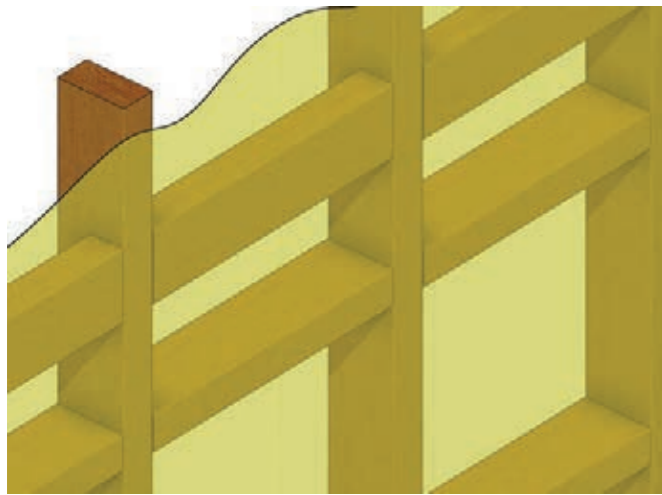
Step 3



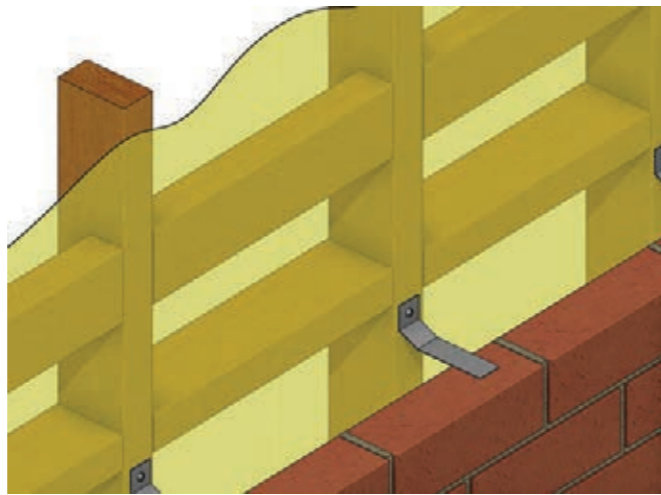
Step 5



Step 6



Step 1 Construction sequence – horizontal junction between bevel-back weatherboards over cavity above brick veneer.



Step 2



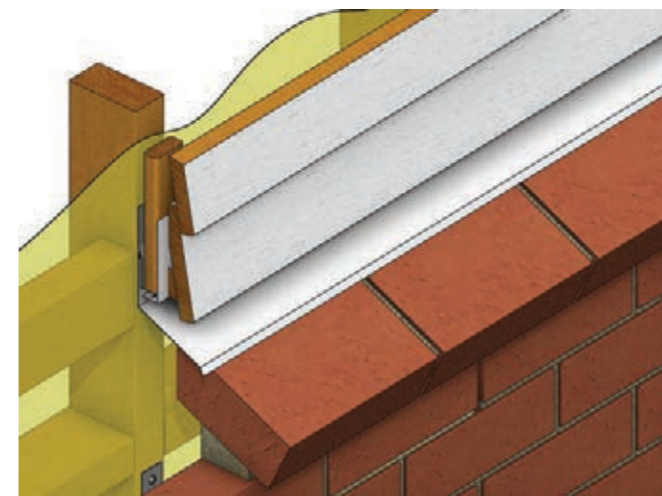
Step 3



Step 4



Step 5



Step 6